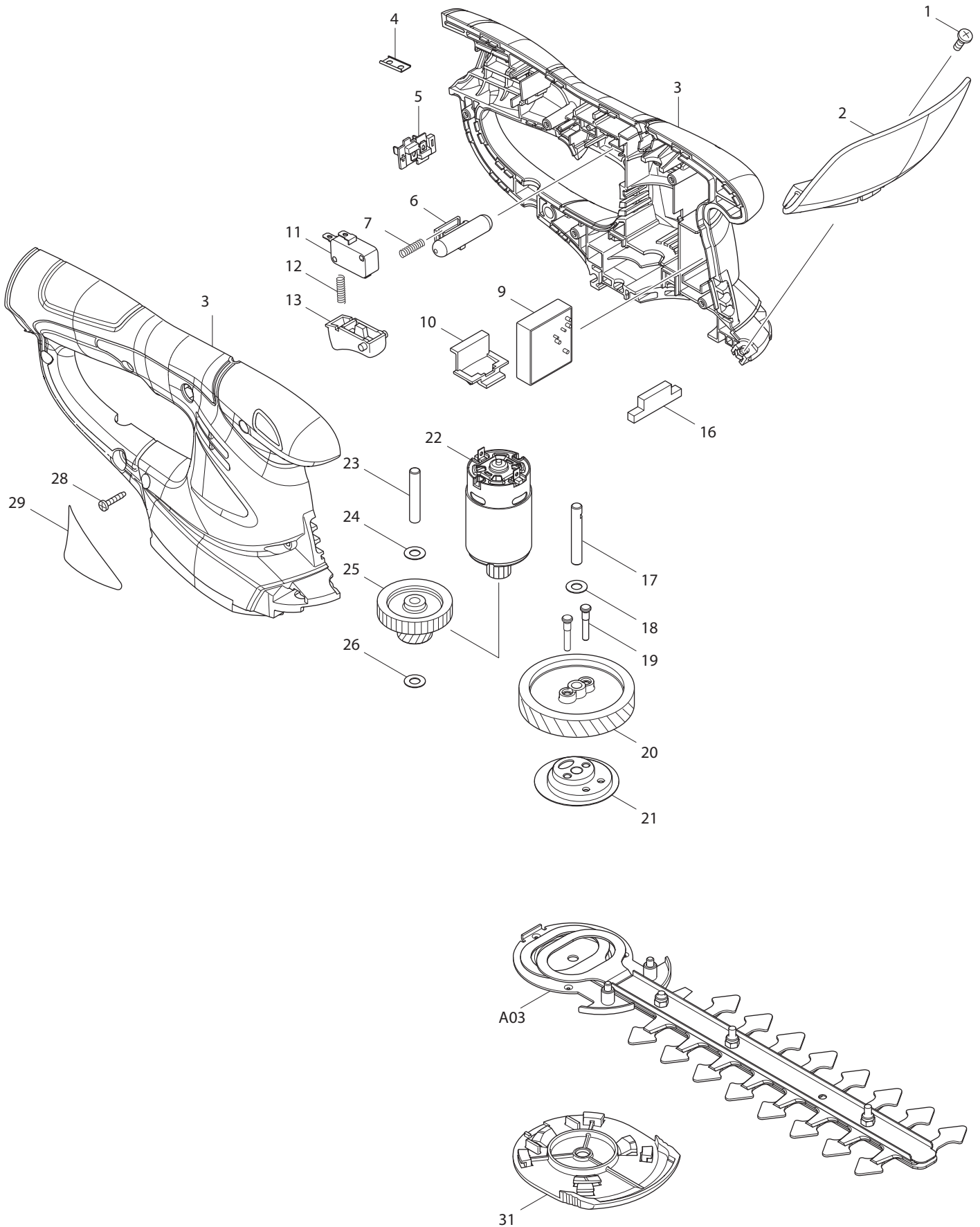




10 - 2010
HU01Z
12V HEDGE TRIMMER



Item No	Type	Ref	Part No	Description	Qty	Unit
1			915116-7	BINDING HEAD SCREW M4X12	1	PC.
2			140599-4	PROTECTOR COMPLETE	1	PC.
		INC.	819948-3	CAUTION LABEL	1	PC.
3			188830-0	HOUSING SET	1	SET
		INC.	931102-0	HEX. NUT M4	1	PC.
		INC.	346275-0	PLATE	2	PC.
4			345998-7	SET PLATE	1	PC.
5			643817-4	TERMINAL	1	PC.
6			452438-9	LOCK OFF BUTTON	1	PC.
7			231473-8	COMPRESSION SPRING 4	1	PC.
9			135384-8	CONTROLLER ASSY	1	PC.
		INC.	654069-2	RECEPTACLE	4	PC.
10			451812-8	LOCK LEVER	1	PC.
11			651944-3	SWITCH DMC-1115-13	1	PC.
12			231473-8	COMPRESSION SPRING 4	1	PC.
13			417564-1	SWITCH LEVER	1	PC.
16			451814-4	DUST GUARD	1	PC.
17			268254-7	PIN 6	1	PC.
18			261122-3	WASHER 6	1	PC.
19			268256-3	PIN 4	2	PC.
20			227728-7	HELICAL GEAR 47	1	PC.
21			165609-6	CRANK COMPLETE	1	PC.
22			629877-0	DC MOTOR	1	PC.
23			268076-5	PIN 6	1	PC.
24			261122-3	WASHER 6	1	PC.
25			226831-1	GEAR 12-31	1	PC.
26			261122-3	WASHER 6	1	PC.
28			266429-2	TAPPING SCREW 3X16	5	PC.
29			869319-4	HU01 NAME PLATE	1	PC.
31			140451-6	UNDER COVER COMPLETE	1	PC.
C01			871957-0	CARTON	1	PC.
D01			654069-2	RECEPTACLE	2	PC.
<u>ACCESSORIES</u>				- See catalogue or visit www.makita.ca for more accessories information -		
A02			195278-9	CHIP RECEIVER SET	1	PC.
		INC.	252656-7	THUMB NUT M4	2	PC.
A03			195178-3	SHEAR BLADE ASSEMBLY(F/Hedge Trimmer) - See Partsbreakdown #195178-3	1	PC.
	Opt.		195176-7	SHEAR BLADE ASSEMBLY F/GRASS SHEAR	1	PC.
		INC.	188369-3	OIL VESSEL SET	1	PC.
A04			195332-9	12V LI-ION BATTERY BL1014	1	PC.
A05			DC10WB	CHARGER DC10WB F/LI-ION 7.2, 10.8, 12V	1	PC.
A06			195274-7	BLADE COVER SET, HEDGE TRIMMER	1	PC.
		INC.	831797-8	HEADER - N/A individually	1	PC.
		INC.	831261-9	POLY BAG - N/A individually	1	PC.
		INC.	452198-3	STORAGE CASE - N/A individually	1	PC.
		INC.	451816-0	BLADE COVER	1	PC.
A07	Opt.		195269-0	ACCESSORY SET, F/GRASS SHEAR	1	PC.
		INC.	325896-1	BASE FRAME	1	PC.
		INC.	451813-6	CHANGE LEVER	1	PC.
		INC.	452055-5	BLADE COVER	1	PC.
		INC.	452198-3	STORAGE CASE - N/A individually	1	PC.
		INC.	824962-6	CLEAR CASE - N/A individually	1	PC.
		INC.	891276-8	INDICATION CARD - N/A individually	1	PC.